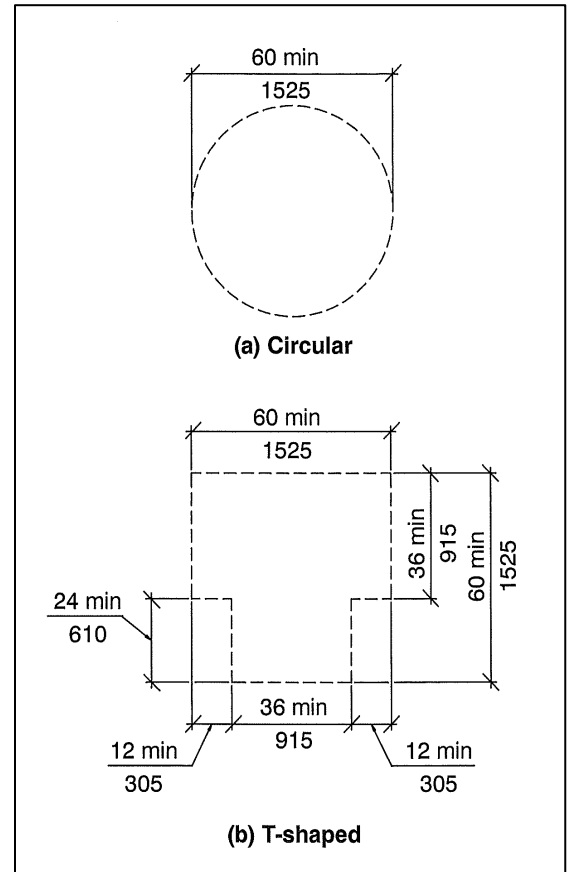


ACCESSIBILITY PLUMBING GUIDELINES

REFERENCE: ICC/ANSI A117.1-2009

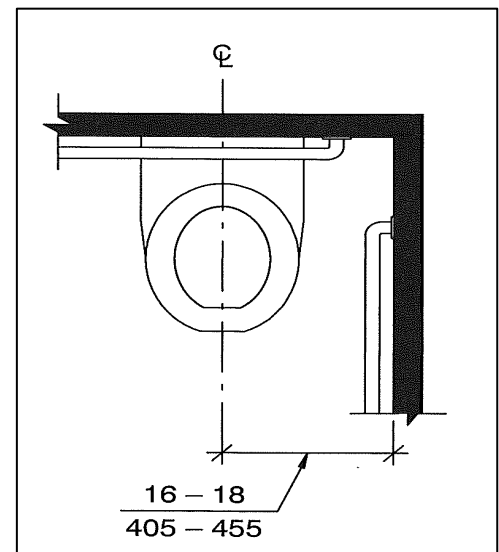
TURNING SPACE—Clear floor spaces, clearances at fixtures, and turning spaces shall be permitted to overlap.

1. **Circular Space** -- The turning space shall have a circular space with a 60 inch minimum diameter. The turning space shall be permitted to include knee and toe clearance.
2. **T-Shaped Space** – The turning space shall be a T-shaped space within a 60 inch minimum square, with arms and base 36 inches minimum in width.



WATER CLOSETS

1. **Location.** The water closet shall be located with a wall or partition to the rear and to one side.
 - The centerline of the water closet shall be 16 to 18 inches maximum from the sidewall or partition.



2. Clearances. A clearance distance of 60 inches minimum along rear wall and 56 inches minimum alongside wall.

- Doors are not to swing into a clear space.

3. Height of water closet. The height of the water closet seat shall be 17 inches minimum and 19 inches maximum above the floor measured to the top of the seat.

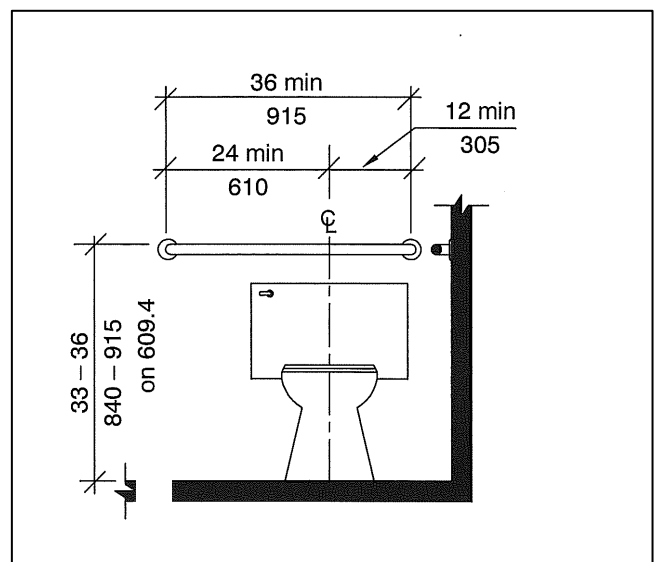
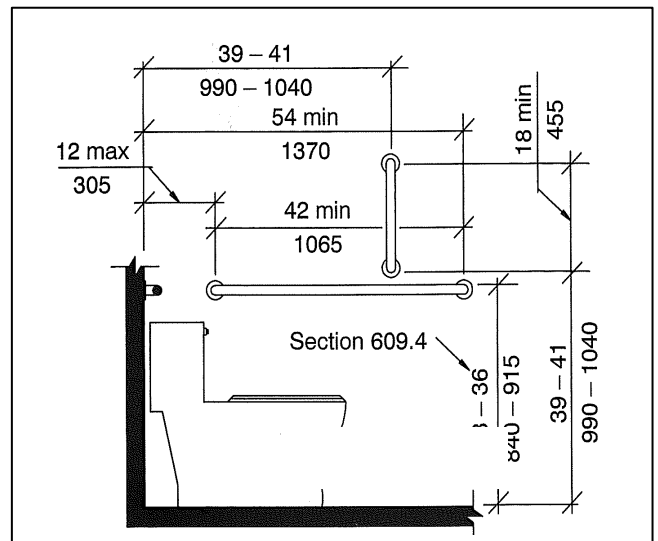
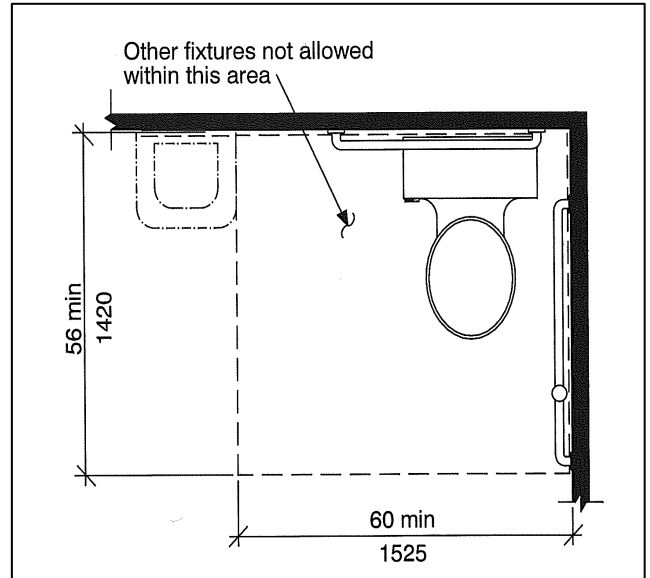
- Water closets are to be the elongated type.
- Toilet seats are to be open-front.

4. Grab bars.

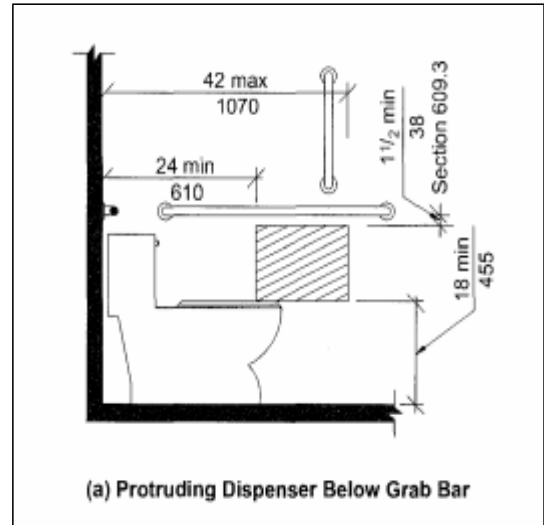
- **Side grab bars**—Fixed side wall grab bars shall be 42 inches minimum in length located a maximum of 12 inches from the rear wall and extending 54 inches minimum from the rear wall.

- **Vertical grab bar**—A vertical grab bar (minimum 18 inches in length) shall be mounted with the bottom of the bar located between 39 inches to 41 inches above the floor, and the center line shall be 39 inches to 41 inches from the rear wall.

- **Rear grab bar**—The rear wall grab bar shall be 36 inches minimum in length and extend from the centerline of the water closet 12 inches minimum on the side closest to the wall and 24 inches minimum on the transfer side.

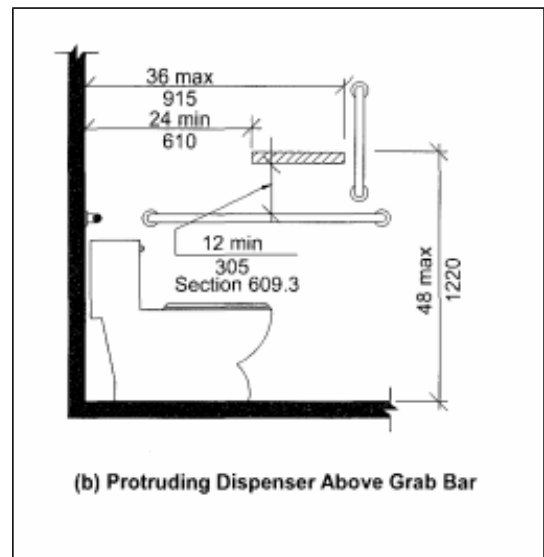


5. **Paper dispensers**—Where the dispenser is located below the grab bar, the outlet of the dispenser shall be located within an area 24 inches minimum and 42 inches maximum from the rear wall



Where the toilet paper dispenser is located above the grab bar, the outlet of the dispenser shall be located within an area 24 inches minimum and 36 inches maximum from the rear wall.

The outlet of the dispenser shall be located 18 Inches minimum and 48 inches maximum above the floor.

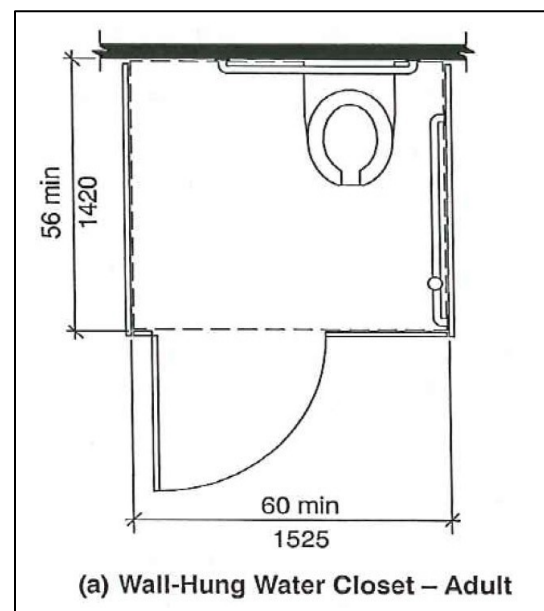


Accessible Toilet Compartments

1. **Size**—Minimum area of compartment shall be 60 inches wide and 56 inches deep for a wall hung water closet and 59 Inches for a floor mounted water closet.
2. **Toe Clearance**—The front partition and at least one side partition shall provide a toe clearance of 9 inches minimum above the floor.

Exception 1: Toe clearance is not required at the front if the compartment is deeper than 62" for a wall hung and 65" for a floor mounted water closet.

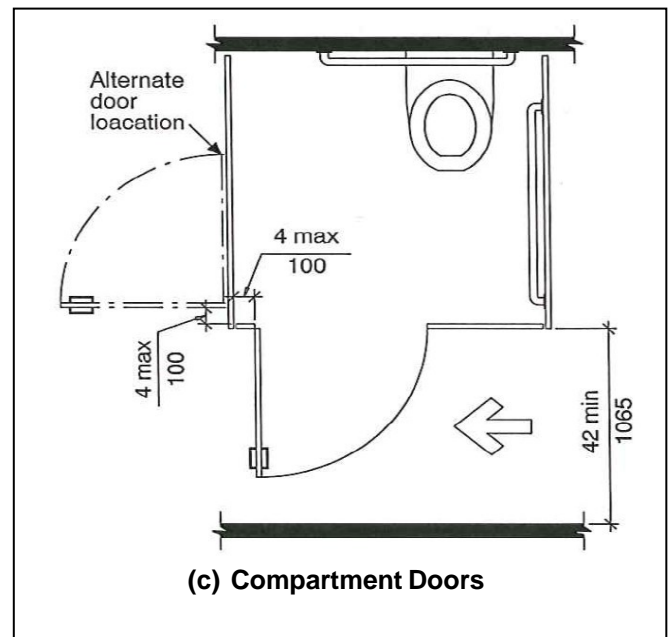
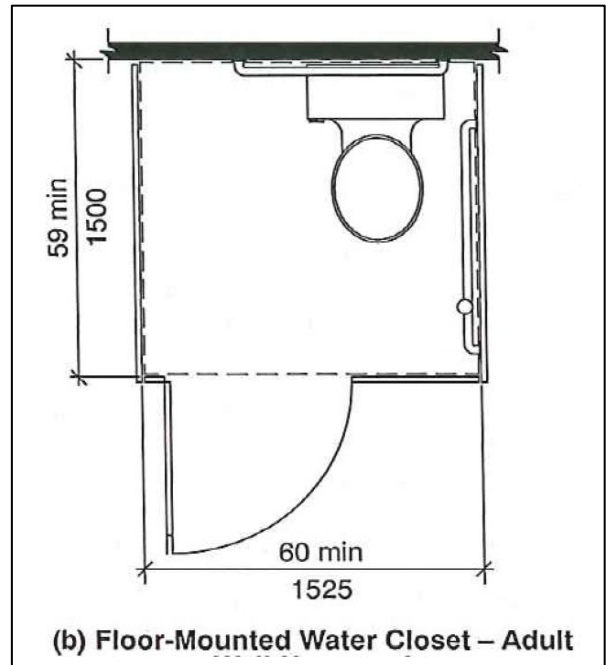
Exception 2: Toe clearance is not required in a compartment greater than 66" wide.



3. Approach—Wheelchair accessible compartments shall be arranged for left-hand or right-hand approach to the water closet.

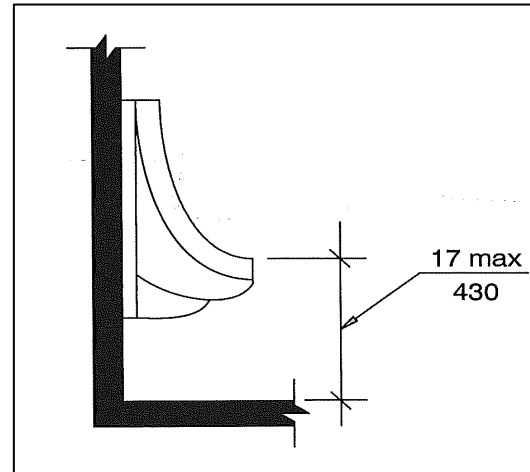
4. Doors

- Doors shall not swing into the required minimum area of the compartment.
- Doors shall be located in the front or side partition farthest from the water closet. (Figure c.)
- The door shall be self-closing.



Urinals

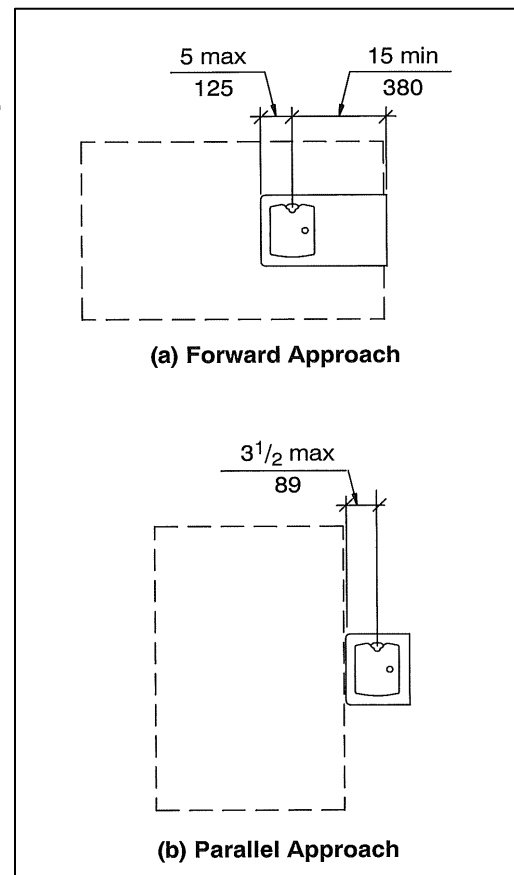
- 1. Clear Floor Space.** A clear space 30 inches wide and 48 inches long is required.
- 2. Height.** The height of the urinal shall be 17 inches maximum above the floor.
- 3. Partition.** Each urinal shall have a separate space with walls or partitions. Partitions shall not be required in a single occupant or unisex restroom with a lockable door.
 - Partitions or Walls shall have a waterproof, smooth, nonabsorbent finish surface.
 - Walls or partitions shall begin at a height not more than 12" and continue up to a height of 60" above the finished floor.
 - The partition or wall shall extend from the wall at each side of the urinal a minimum of 18" or to a point not less than 6" past the front lip of the urinal, whichever is greater.



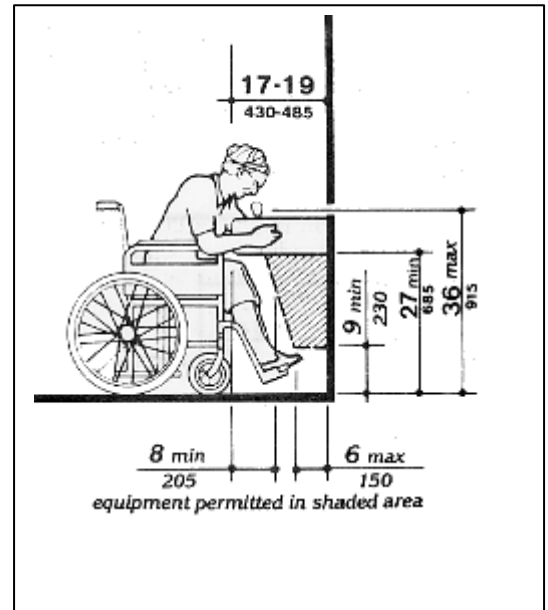
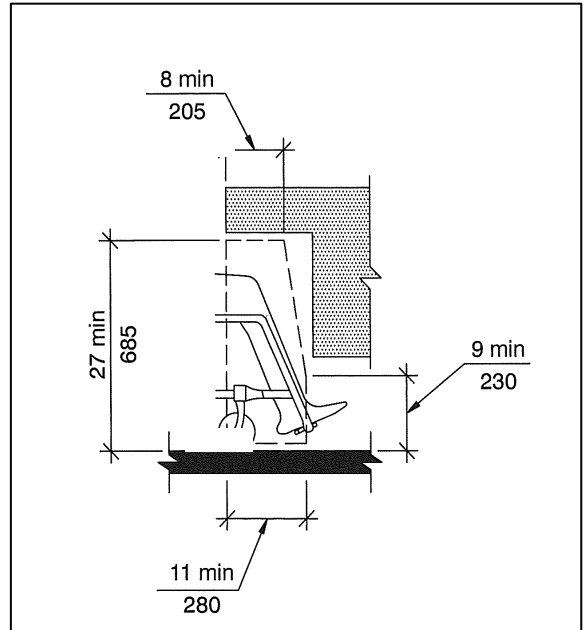
Drinking Fountains

No fewer than 2 Drinking fountains are required. One shall comply with the requirements for people using a wheelchair and one shall comply with the requirements for standing persons.

- 1. Clear Floor Space:** A 30 inch by 48 inch clear space shall be centered on the drinking fountain. See diagrams at right for forward approach (a) and parallel approach (b).
- 2. Spout height & location:**
 - Wheelchair accessible fountains shall be 36 inches maximum above the floor.
 - Front approach—the spout shall be a minimum of 15 inches from the vertical support and 5 inches maximum from the front edge of the fountain.
 - Parallel approach—spout shall be maximum of 3.5 inches from the front edge of the fountain, including the bumpers.



3. **Knee and Toe:** See diagrams at right.



Lavatory: A 30 inch by 48 inch clear space shall be centered on the lavatory.

- Height: maximum of 34”.
- Knee clearance: 27” high and 30” in width.
- For other related clearances, see “Drinking fountain—toe and knee”

